



# LANDY MANUFACTURING

## OPERATOR MANUAL

### Skid Steer Stump Bucket

MODEL: S-SPB45IN-MP1220

RB: SPB45



[www.landymfg.com](http://www.landymfg.com)

[sales@landymfg.com](mailto:sales@landymfg.com)

## **Importance of Safety**

Accidents can be very costly to human life and property. As the operator is the #1 safety device on all types of vehicles or equipment, it is important that the operator read, learn and know all safety recommendations for this product. The user is responsible to his family, friends and co-workers to operate in a safe manner. Ensure that everyone who operates or assists in the operation or maintenance of this product read and understand all the elements required to safely operate this piece of equipment. This attachment has moving parts that include additional dangers. Throughout this manual you will find safety notes which are very important to read and understand before operating this piece of equipment. These classifications alert you to situations that could be harmful to you or bystanders. When you see these alerts in the manual, carefully read and follow all instructions and also protect other workers from the same danger.

## **Skid Steer Requirements**

The attachment must be connected to a skid steer with adequate horsepower and weight to provide satisfactory results. Tracked loaders will provide superior traction in ground engaging applications and wheeled loaders may provide the best option for above ground material handling applications. The attachment plate on your attachment will connect to the couplers on most major brand skid steer loaders. Do not modify the attachment plate on this attachment to fit older styles of attachment couplers on older machines. Contact your skid steer loader dealer to supply an updated coupler on an older skid steer to fit this attachment.

Your skid steer must also be equipped with an auxiliary circuit that is available on the loader arms and is controlled by a switch, pedal or handle inside the skid steer loader cab.

## **Maintaining your Attachment**

### **Before Every Use**

Check that all fasteners (nuts, bolts, pins, keepers) are in their right place and are tight.

Inspect and replace any worn, torn or missing safety decals. Investigate the location of any oil leaks and repair. Lubricate all pivot joints with #2 lithium grease.

### **Every Week**

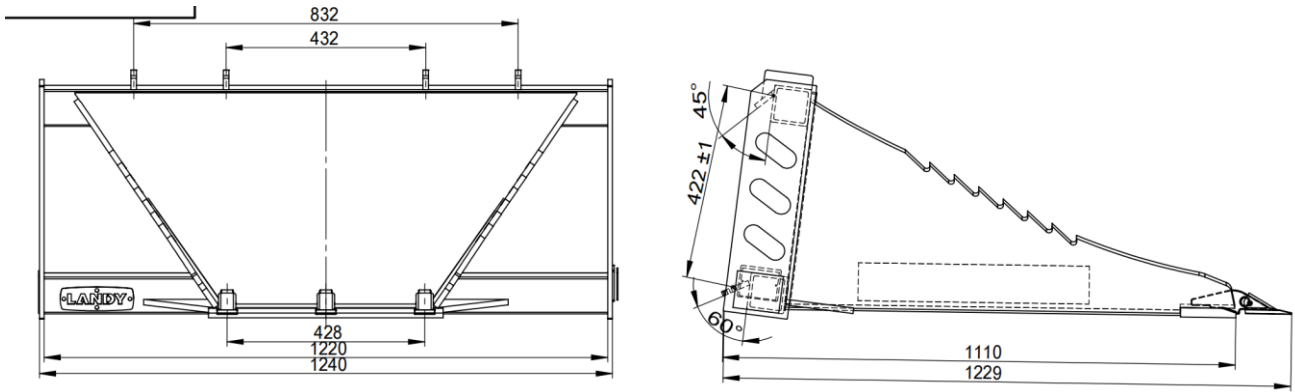
Check the condition of the cutting edge and/or tooth points. Order parts if the cutting edge or points are becoming worn and replace as soon as possible.

### **After Every Season**

Inspect the implement for any loose or worn parts that may need to be replaced prior to the next season. Visually inspect the cutting edge. Replace, if necessary. Clean, sand & repaint any area that looks worn or scratched to prevent further rusting. Use an equipment- paint found at your local hardware store or building center.

Replace any warning decals that have been lost or damaged. Store your implement in a shed or cover with a water-proof tarp to protect it from the weather. Store in an area not frequented by children.

Unit: mm



**Mount on Plate:**

